

Type: 2-5700



Single pole thermal circuit breaker with press-to-reset, tease-free, trip-free, snap action mechanism. Type 2-5700 can be supplied as a push-push switch/circuit breaker (R-type TO CBE to EN 60934 in press-to-reset configuration; S-type with push-push operation), threadneck panel mounting. Options include an additional unprotected circuit tap (-A3). Approved to CBE standard EN 60934 (IEC 60934).

Voltage rating:

- AC 250 V
- DC 28 V
- UL/CSA: DC 50 V

Current ratings:

from 0.05 A to 25 A

Number of poles:

single pole

Mounting method:

threadneck

Terminal design:

blade terminals
screw terminals

Actuation:

push button

Auxiliary contacts:

without auxiliary contacts

Water splash protection:

with water splash protection
without water splash protection

Illumination:

without illumination

Typical life:

0.05...16 A 5,000 operations at $2 \times I_N$, inductive
17...25 A 5,000 operations at $2 \times I_N$, resistive

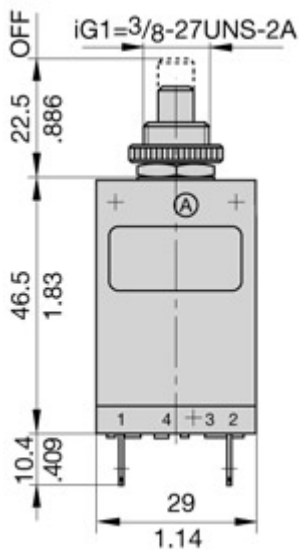
Interrupting capacity I_{cn} :

0.05...2.5 A: $8 \times I_N$
3...5 A: $20 \times I_N$
6...12 A: 200 A (higher interrupting capacity available to special order)
13...25 A: 400 A

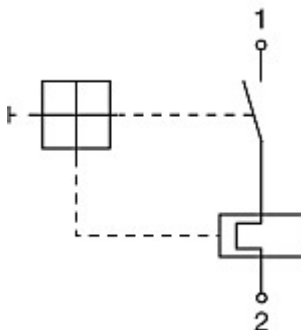
Approvals:

VDE, CSA, UL, SEV, CCC

Dimensions



Internal connection diagrams



Description

Single pole thermal circuit breaker with press-to-reset, tease-free, trip-free, snap action mechanism. Type 2-5000 is available with optional manual release (-H), type 2-5700 can be supplied as a push-push switch/circuit breaker (R-type TO CBE to EN 60934 in press-to-reset configuration; M-type when fitted with manual release -H; S-type with push-push operation). Fitted with flange or threadneck for panel mounting. Options include an additional unprotected circuit tap (-A3). Approved to CBE standard EN 60934 (IEC 60934).

Typical applications

Motors, transformers, solenoids, battery chargers, power supplies, appliances, machinery, extra low voltage systems.

Ordering information

| Type No. | |
|---|---|
| 2-5000 | flange mounting |
| 2-5700 | threadneck panel mounting (hardware bulk shipped) |
| Threadneck design – type 2-5700 only | |
| iG1 | moulded threadneck 3/8"-27UNS-2A |
| iG2 | moulded threadneck M12x1 |
| Terminal design | |
| P10 | blade terminals 6.3-0.8 mm (QC .250) |
| K10 | screw terminals M4x6 |
| Shunt terminal (optional) -P10 only | |
| A3 | shunt terminal (up to I_N 2.5 A/6 A max. load) |
| Manual release (optional) | |
| H | manual release facility (type 2-5000 only) |
| DD | push to release/push to reset (type 2-5700 only) |
| Current ratings | |
| 0.05...25 A | |

2-5700 -iG1 - P10 - ... - DD - 8 A ordering example

The exact part number required can be built up from the table of choices shown above. Ordering references for optional features should be omitted if not required.

Standard current ratings and typical internal resistance values

| Current rating (A) | Internal resistance (Ω) | Current rating (A) | Internal resistance (Ω) |
|--------------------|-------------------------|--------------------|-------------------------|
| 0.05 | 280 | 3 | 0.1 |
| 0.08 | 100 | 3.5 | 0.06 |
| 0.1 | 110 | 4 | 0.06 |
| 0.2 | 29 | 4.5 | 0.05 |
| 0.3 | 14 | 5 | 0.05 |
| 0.4 | 7 | 6 | 0.02 |
| 0.5 | 4.9 | 7 | 0.02 |
| 0.6 | 3.4 | 8 | 0.02 |
| 0.7 | 2.5 | 10 | < 0.02 |
| 0.8 | 1.8 | 12 | < 0.02 |
| 1 | 1.2 | 13 | < 0.02 |
| 1.2 | 0.8 | 15 | < 0.02 |
| 1.5 | 0.6 | 16 | < 0.02 |
| 1.8 | 0.4 | 20 | < 0.02 |
| 2 | 0.3 | 22 | < 0.02 |
| 2.5 | 0.2 | 25 | < 0.02 |



Technical data

For further details please see chapter: Technical Information

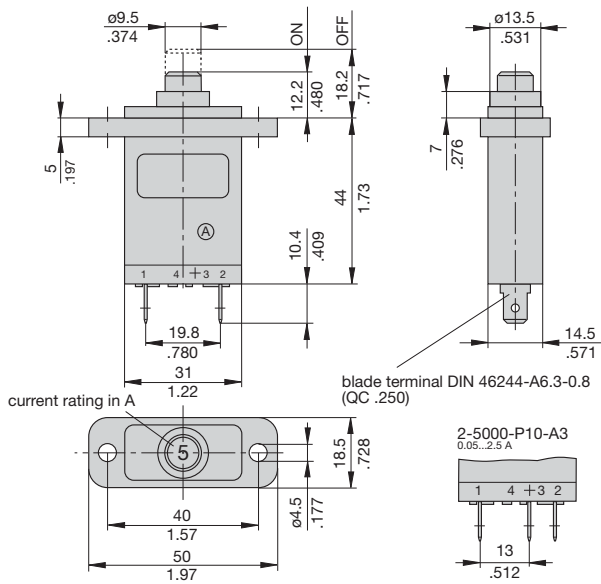
| | | |
|---|---|--|
| Voltage rating | AC 250 V; DC 28 V (UL: AC 250 V; DC 50 V) | |
| Current rating range | 0.05...25 A | |
| Typical life | AC 250 V / DC 28 V: 0.05...16 A 5,000 operations at $2 \times I_N$, inductive 17...25 A 5,000 operations at $2 \times I_N$, resistive | |
| Ambient temperature | -20...+60 °C (-4...+140 °F) | |
| Insulation co-ordination (IEC 60664 and 60664 A) | rated impulse withstand voltage 2.5 kV reinforced insulation in operating area | pollution degree 2 |
| Dielectric strength (IEC 60664 and 60664A) operating area | test voltage AC 3,000 V | |
| Insulation resistance | > 100 MΩ (DC 500 V) | |
| Interrupting capacity I_{cn} | 0.05...2.5 A 3...5 A 6...12 A 13...25 A | $8 \times I_N$ $20 \times I_N$ 200 A 400 A (higher interrupting capacity available to special order) |
| Interrupting capacity (UL 1077) | I_N 0.05...20 A 0.05...25 A | U_N AC 250 V 2,000 A DC 50 V 2,000 A (higher values upon request) |
| Degree of protection (IEC 60529/DIN 40050) | operating area IP40 terminal area IP00 | |
| Vibration | 8 g (57-500 Hz) ± 0.61 mm (10-57 Hz), to IEC 60068-2-6, test Fc, 10 frequency cycles/axis | |
| Shock | 25 g (11 ms) to IEC 60068-2-27, test Ea | |
| Corrosion | 96 hours at 5 % salt mist, to IEC 60068-2-11, test Ka | |
| Humidity | 240 hours at 95 % RH to IEC 60068-2-3, test Ca | |
| Mass | approx. 29 g | |

Approvals

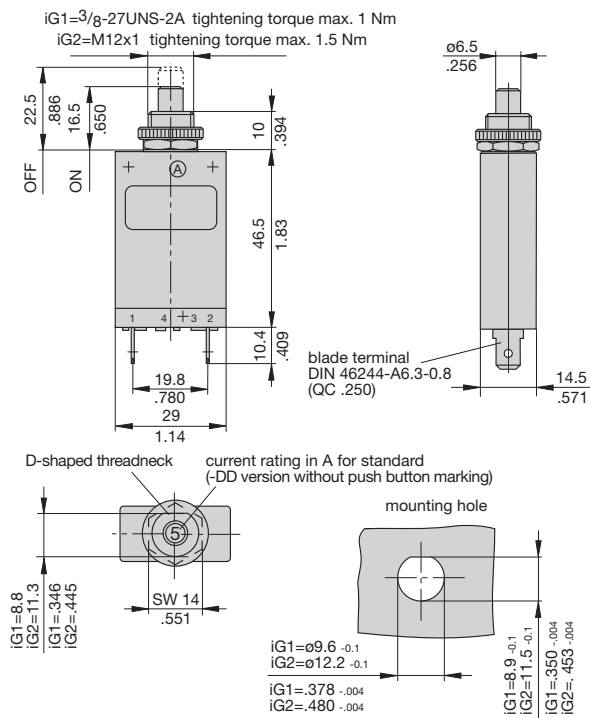
| Authority | Voltage ratings | Current ratings |
|----------------|-------------------|-----------------|
| VDE (EN 60934) | AC 250 V; DC 28 V | 0.05...25 A |
| CSA/ UL | AC 250 V; DC 50 V | 0.05...20 A |
| CCC | AC 250 V | 0.05...25 A |
| SEV | AC 250 V; DC 28 V | 0.05...25 A |

Dimensions

2-5000-P10

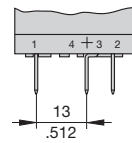


2-5700-P10

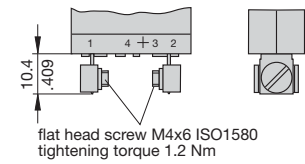


Terminal design

-P10-A3 0.05...2.5 A

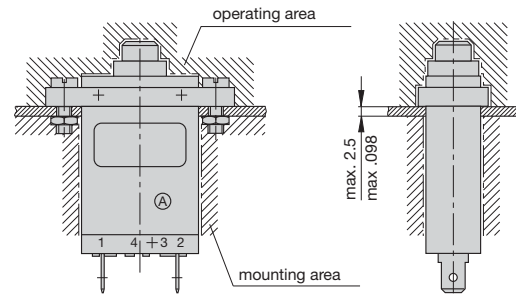


-K10



Installation drawings

2-5000-P10



2-5700-P10

